

# Solenoid operated valves

## 3-way 2-positions

Common cavity size 10

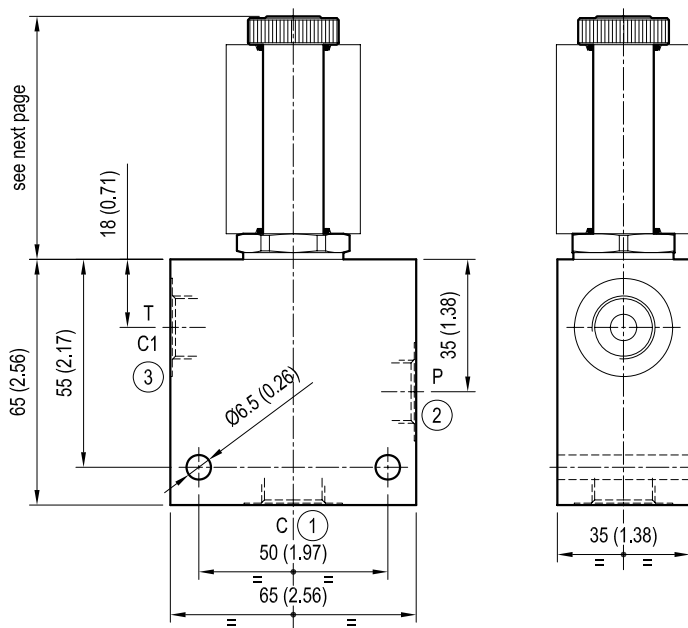
Cartridge style in manifold

VED-CS-71-32-09

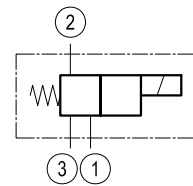
OS.13 - K - 77 - Y - Z - W

### Dimensions

**IMPORTANT NOTE:** current data sheet refers to the VED series cartridge valves; by December 2010 a new data sheet will be published with reference to the new VEDS series of direct acting solenoid cartridge valves.



[mm (inches)]



### Cartridge schemes

monodirectional type	bidirectional type

### Technical data

Max flow: up to 20 l/min (6 gpm)

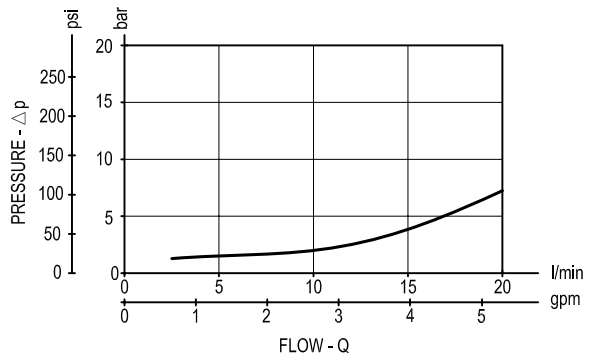
Max operating pressure: 210 bar (3000 psi)

Standard manifolds in high strength **aluminium**.

To order only manifold see data sheet RE 18325-85



## Performance graph



Ordering code

OS.13	K	77	Y	Z	W
-------	---	----	---	---	---

Manifold with solenoid operated valve, 3-way 2-positions

Cartridge scheme (see page 1 and 2)

- = 10
- = 11 Bidirectional
- = 20
- = 30

Common cavity Size 10

Manifold material

= 00 Aluminium

Port sizes (see table on page 2)

= 09 G 1/4

= 02 G 3/8

See table on page 2

Preferred types (readily available)

Type	Material number
OS131077700200	R934002769
OS131077710200	R934002773
OS132077700200	R934002783
OS132077700900	R934002784
OS133077700200	R934002794

Type	Material number

Further types available by request