

Solenoid operated valves

4-way 2-positions

Common cavity size 08

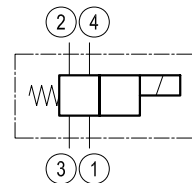
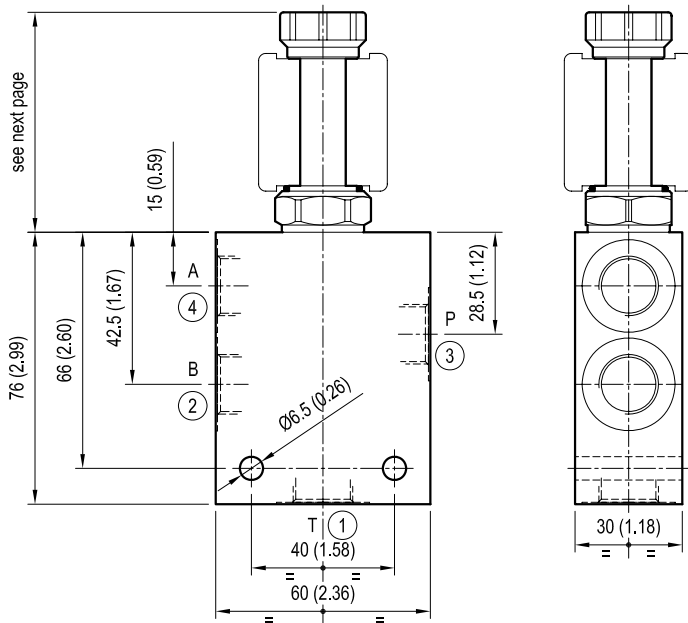
Cartridge style in manifold

VED-CS-8I-42-06

OS.14 - K - 58 - Y - Z - W

Dimensions

IMPORTANT NOTE: current data sheet refers to the VED series cartridge valves; by December 2010 a new data sheet will be published with reference to the new VEDS series of direct acting solenoid cartridge valves.



Cartridge schemes

monodirectional type	bidirectional type

[mm (inches)]

Technical data

Max flow: up to 10 l/min (3 gpm)

Max operating pressure: 210 bar (3000 psi)

Standard manifolds in high strength **aluminium**.

To order only manifold see data sheet RE 18325-85

Performance graph

