

# Solenoid operated valves

## 4-way 3-positions

Common cavity size 08

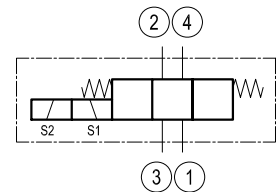
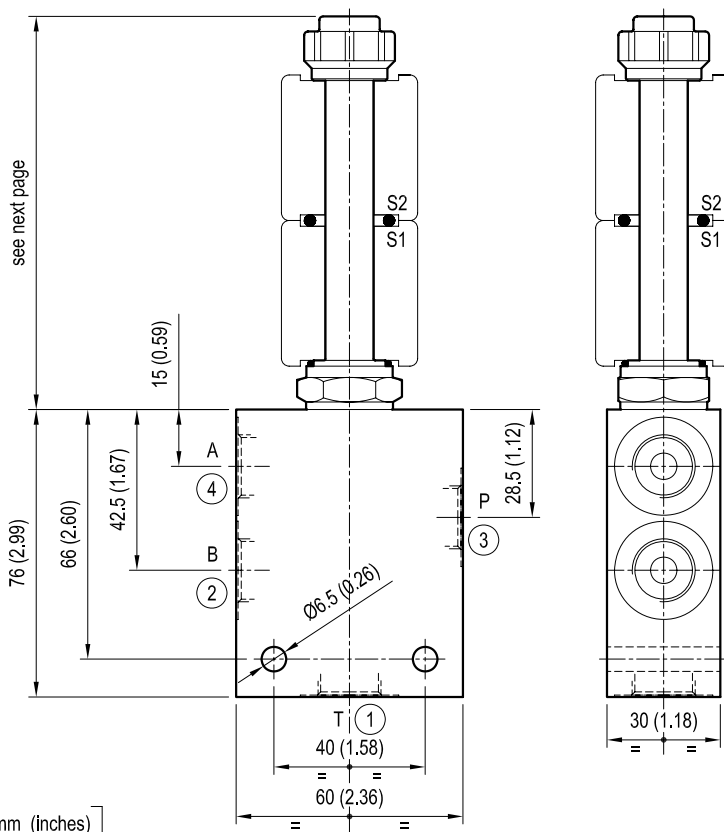
Cartridge style in manifold

VED-CS-8I-43-06

OS.14 - K - 58 - Y - Z - W

### Dimensions

**IMPORTANT NOTE:** current data sheet refers to the VED series cartridge valves; by December 2010 a new data sheet will be published with reference to the new VEDS series of direct acting solenoid cartridge valves.



### Cartridge schemes

monodirectional type	bidirectional type

### Technical data

Max flow: up to 10 l/min (3 gpm)

Max operating pressure: 210 bar (3000 psi)

Standard manifolds in high strength **aluminium**.

To order only manifold see data sheet RE 18325-85



Performance graphs

