

RE 18331-82/12.09
Replaces: RE 00199/11.07

1/4

Solenoid operated valves

2-way 2-positions

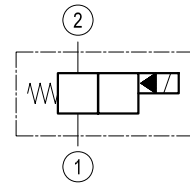
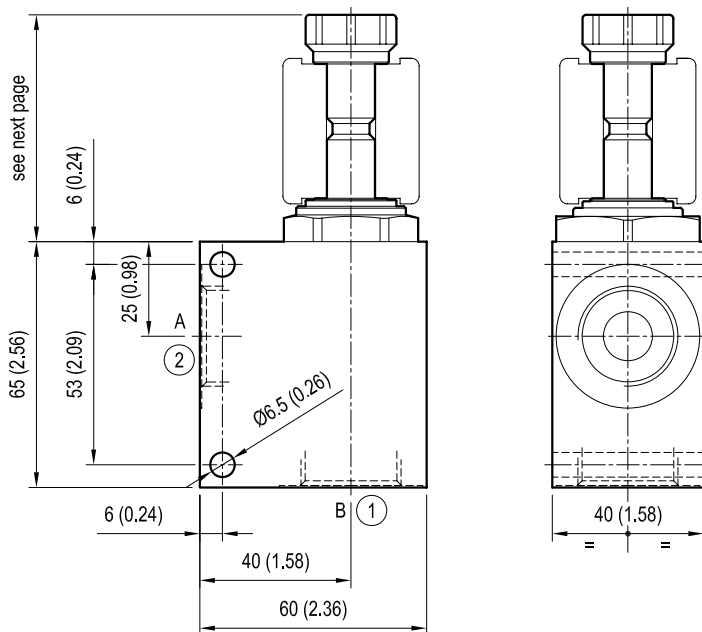
Special cavity

Cartridge style in manifold

VEI-CS-8A-09

OS.15 - K - 17 - Y - Z - W

Dimensions



Cartridge schemes

monodirectional type	bidirectional type

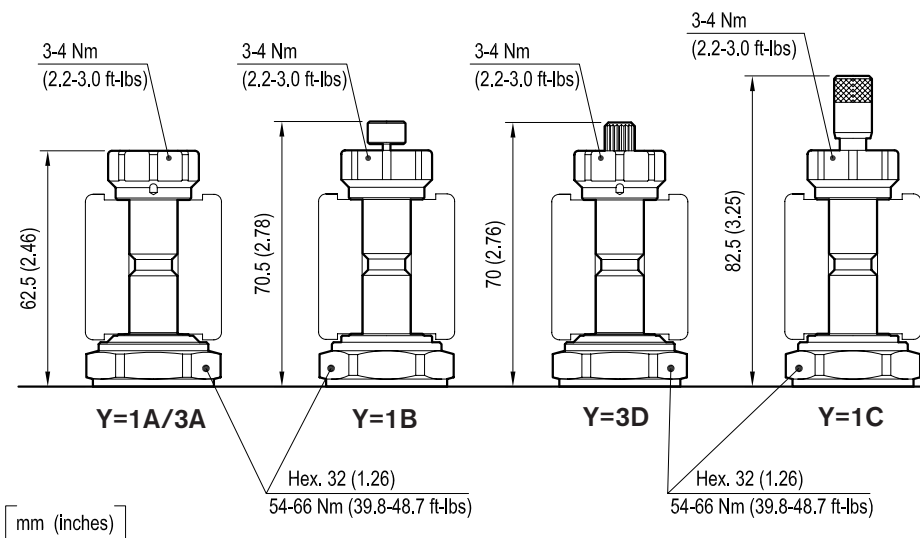
[mm (inches)]

Technical data

Max flow:	up to 70 l/min	(19 gpm)
Max operating pressure for steel body:	350 bar	(5000 psi)
Max operating pressure for aluminium body:	210 bar	(3000 psi)

To order only manifold see data sheet RE 18325-85

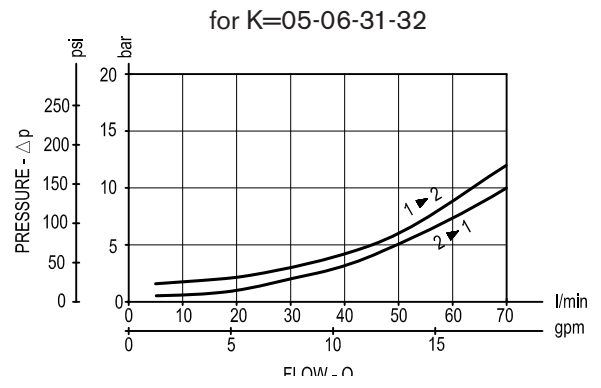
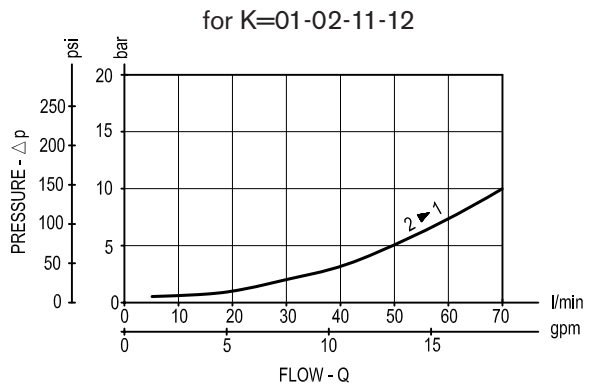
Dimensions



CARTRIDGE TECHNICAL DATA
Special cavity: 017-E
Filtration: 25 µm nominal or better
Minimum voltage required: 90% of nominal value
Coil : S8-356 must be ordered separately see data sheet RE 18325-90
Mounting position: unrestricted
For other details see cartridge data sheet

OS15	- K -		17	- Y - Rated Flow 70 l/min (19 gpm)	- Z - Ports size 1-2		- W - Material		CARTRIDGE SCHEME		
	monodir.	bidir.			G 1/2	G 3/4	Aluminium	Steel	monodir.	bidir.	
CARTRIDGE CODE	OD15	01	05	17	3A	03	04	00	S0		
	OD15	01	05	17	3D	03	04	00	S0		
	OD15	02	06	17	1A	03	04	00	S0		
	OD15	02	06	17	1B	03	04	00	S0		
	OD15	02	06	17	1C	03	04	00	S0		
	OD15	11		17	3A	03	04	00	S0		
	OD15	11		17	3D	03	04	00	S0		
	OD15	12		17	1A	03	04	00	S0		
	OD15	12		17	1B	03	04	00	S0		
	OD15	12		17	1C	03	04	00	S0		
	OD15		31	17	3A	03	04	00	S0		
	OD15		31	17	3D	03	04	00	S0		
	OD15		32	17	1A	03	04	00	S0		
	OD15		32	17	1B	03	04	00	S0		
	OD15		32	17	1C	03	04	00	S0		

Performance graphs



Ordering code

OS.15	K	17	Y	Z	W
-------	---	----	---	---	---

Manifold with solenoid operated valve, 2-way 2-positions

Cartridge scheme (see page 1 and 2)

= 01

= 02

= 11

= 12

Monodirectional

= 05

= 06

= 31

= 32

Bidirectional

Special cavity 017-E

Manifold material

= 00 Aluminium

= S0 Steel

Port sizes (see table on page 2)

= 03 G 1/2

= 04 G 3/4

See table on page 2

Preferred types (readily available)

Type	Material number
OS1501173D0400	R934000429
OS1502171B0300	R934001259
OS1502171C0400	R934002832
OS1505173A0300	R901201266
OS1505173A0400	R934002859
OS1505173B0300	R901100629
OS1505173D0300	R934002863
OS1505173D0400	R934002865
OS1506171A0300	R934002901
OS1506171A0400	R934002904
OS1506171B0300	R934002906
OS1506171B0400	R934002909
OS1506171C0300	R934002911
OS1506171C0400	R934002917
OS1531173A0300	R934002963

Type	Material number
OS1532171A0300	R934002987
OS1532171A0400	R934002991
OS1532171B0400	R934002887
OS1532171B04S0	R934002938
OS1532171C0300	R934002995

Further types available by request