

RE 18331-71/12.09

1/4

Replaces: RE 00199/11.07

# Solenoid operated valves

## 2-way 2-positions

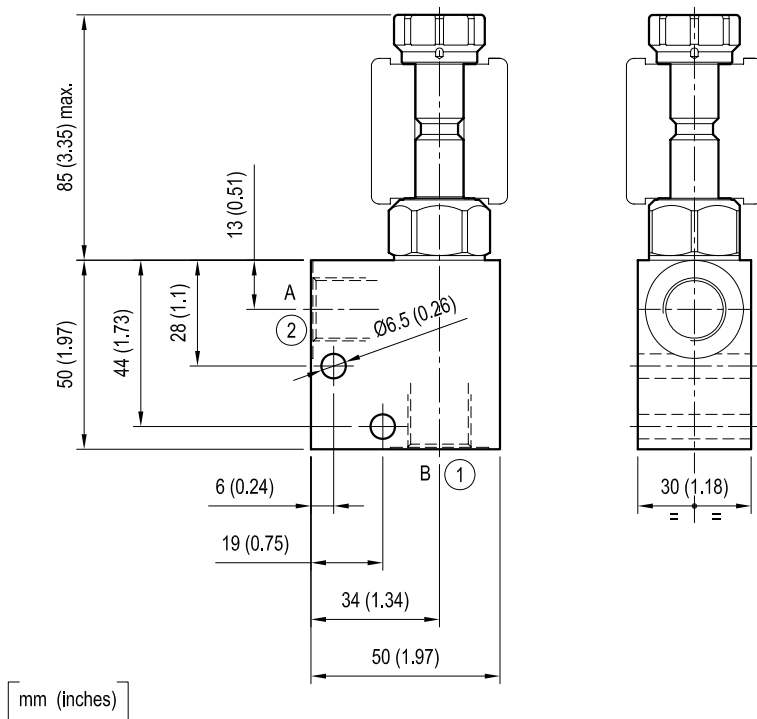
Common cavity size 08

Cartridge style in manifold

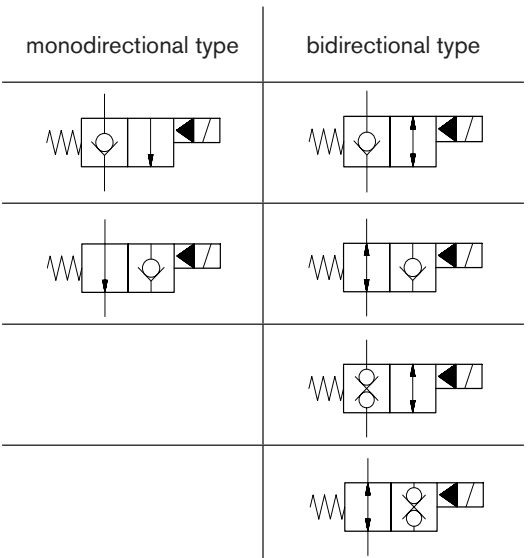
VEI-CS-8A/8I-06

OS.15 - K - 18 - Y - Z - W

### Dimensions



### Cartridge schemes



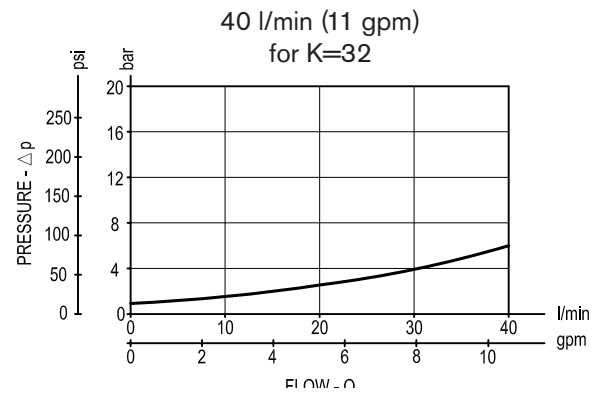
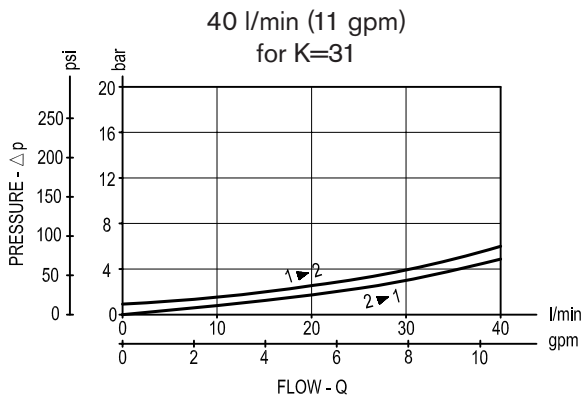
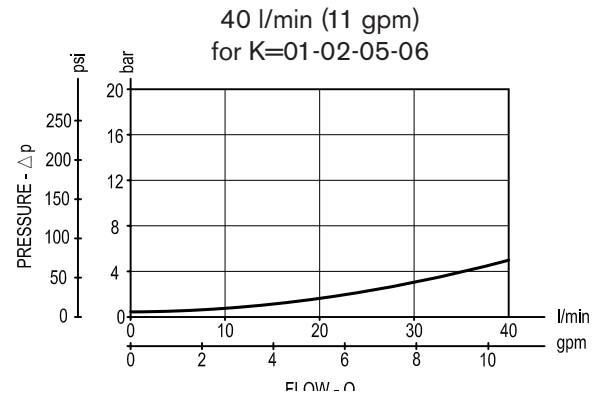
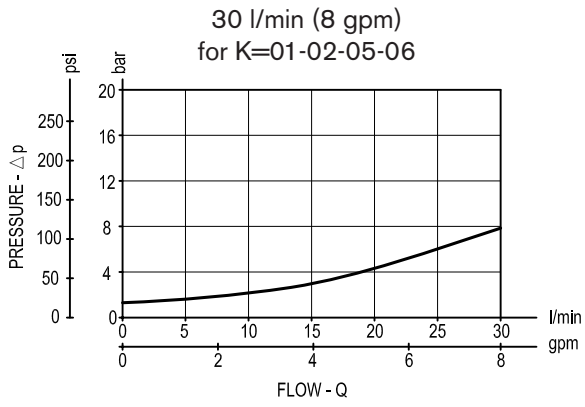
### Technical data

Max flow:	up to 40 l/min	(11 gpm)
Max operating pressure for <b>steel</b> body:	350 bar	(5000 psi)
Max operating pressure for <b>aluminium</b> body:	210 bar	(3000 psi)

To order only manifold see data sheet RE 18325-85



Performance graphs



## Ordering code

OS.15	K	18	Y	Z	W
-------	---	----	---	---	---

Manifold with solenoid operated valve, 2-way 2-positions

Cartridge scheme (see page 1 and 2)

= 01	Monodirectional
= 02	
= 05	Bidirectional
= 06	
= 31	
= 32	

Common cavity Size 08

Manifold material

= 00	Aluminium
= S0	Steel

Port sizes (see table on page 2)

= 09	G 1/4
= 02	G 3/8

See table on page 2

## Preferred types (readily available)

Type	Material number
OS1501183I0200	R934002825
OS1501183I0900	R934002826
OS1501183M0200	R934002830
OS1502181C0200	R934002835
OS1502181C0900	R934002836
OS1502181C09S0	R934002837
OS1502181I0200	R934002838
OS1502181I02S0	R934000418
OS1502181I0900	R934002839
OS1502181L0200	R934002842
OS1502181M0200	R934002844
OS1505183A0200	R934002868
OS1505183A0900	R934002872
OS1505183D0200	R934002876

Type	Material number
OS1505183D09S0	R934000727
OS1505183I0200	R934002878
OS1505183I0900	R934002881
OS1505183L0200	R934002888
OS1516181A0200	R934002922
OS1506181A0900	R934002925
OS1506181B0200	R934002927
OS1506181C0200	R934002929
OS1506181C0900	R934002934
OS1506181I0900	R934002937
OS1531183A0200	R934002972
OS1531183A0900	R934002976
OS1532181A0200	R901132028
OS1532181A0900	R934002998

Further types available by request