

# Solenoid operated valves

## 2-way 2-positions

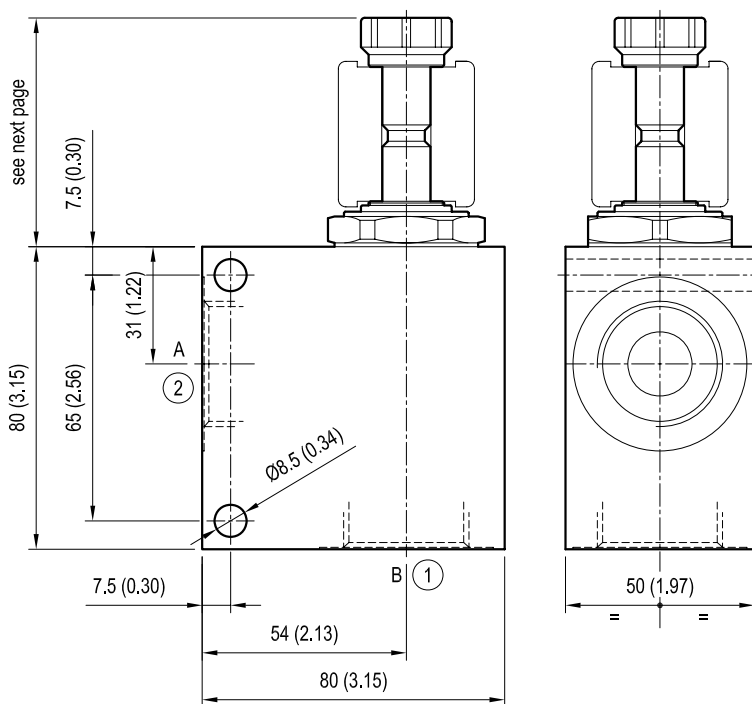
Special cavity

Cartridge style in manifold

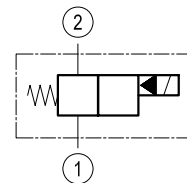
VEI-CS-7A/8A-12

OS.15 - K - 21 - Y - Z - W

### Dimensions



[ mm (inches) ]



### Cartridge schemes

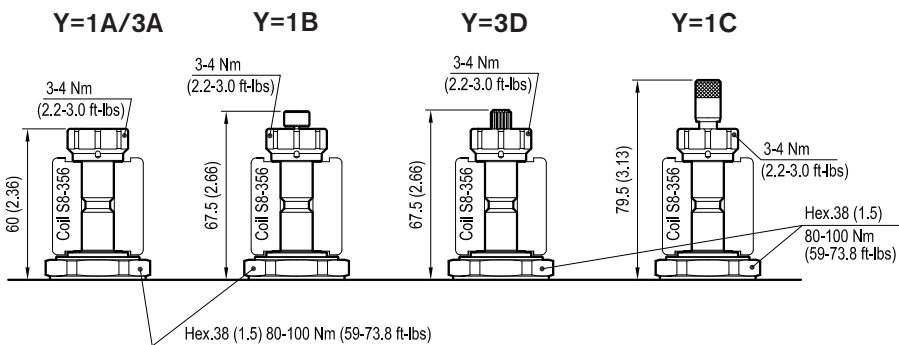
monodirectional type	bidirectional type

### Technical data

Max flow:	up to 150 l/min	(40 gpm)
Max operating pressure for <b>steel</b> body:	350 bar	(5000 psi)
Max operating pressure for <b>aluminium</b> body:	210 bar	(3000 psi)

To order only manifold see data sheet RE 18325-85

### Dimensions



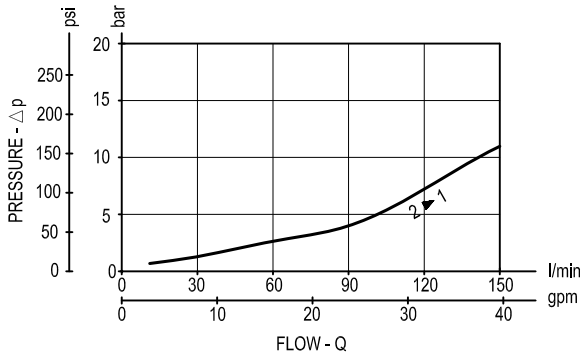
[ mm (inches) ]

CARTRIDGE TECHNICAL DATA
Special cavity: <b>021-E</b>
Filtration: 25 µm nominal or better
Minimum voltage required: 90% of nominal value
Coil : <b>must be ordered separately</b> see data sheet RE 18325-90
Mounting position: unrestricted
For other details see cartridge data sheet

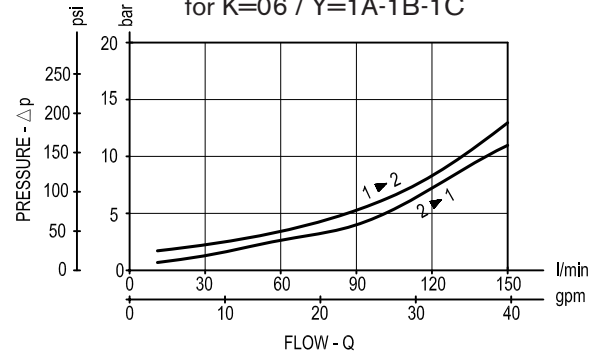
OS15	- K -		21	- Y -		- Z -		- W -		CARTRIDGE SCHEME		
	monodir.	bidir.		Rated Flow	Ports size 1-2	Material	monodir.	bidir.				
			150 l/min (40 gpm)	G 3/4	G 1	Aluminium	Steel					
CARTRIDGE CODE	OD15	<b>01</b>	<b>05</b>	21	<b>3A</b>		<b>04</b>	<b>05</b>	<b>00</b>	<b>S0</b>		
	OD15	<b>01</b>	<b>05</b>	21	<b>3D</b>		<b>04</b>	<b>05</b>	<b>00</b>	<b>S0</b>		
	OD15	<b>02</b>	<b>06</b>	21	<b>1A</b>		<b>04</b>	<b>05</b>	<b>00</b>	<b>S0</b>		
	OD15	<b>02</b>	<b>06</b>	21	<b>1B</b>		<b>04</b>	<b>05</b>	<b>00</b>	<b>S0</b>		
	OD15	<b>02</b>	<b>06</b>	21	<b>1C</b>		<b>04</b>	<b>05</b>	<b>00</b>	<b>S0</b>		
	OD15	<b>11</b>		21	<b>3A</b>		<b>04</b>	<b>05</b>	<b>00</b>	<b>S0</b>		
	OD15	<b>11</b>		21	<b>3D</b>		<b>04</b>	<b>05</b>	<b>00</b>	<b>S0</b>		
	OD15	<b>12</b>		21	<b>1A</b>		<b>04</b>	<b>05</b>	<b>00</b>	<b>S0</b>		
	OD15	<b>12</b>		21	<b>1B</b>		<b>04</b>	<b>05</b>	<b>00</b>	<b>S0</b>		
	OD15	<b>12</b>		21	<b>1C</b>		<b>04</b>	<b>05</b>	<b>00</b>	<b>S0</b>		
	OD15		<b>31</b>	21	<b>3A</b>		<b>04</b>	<b>05</b>	<b>00</b>	<b>S0</b>		
	OD15		<b>31</b>	21	<b>3D</b>		<b>04</b>	<b>05</b>	<b>00</b>	<b>S0</b>		
	OD15		<b>32</b>	21	<b>1A</b>		<b>04</b>	<b>05</b>	<b>00</b>	<b>S0</b>		
	OD15		<b>32</b>	21	<b>1B</b>		<b>04</b>	<b>05</b>	<b>00</b>	<b>S0</b>		
	OD15		<b>32</b>	21	<b>1C</b>		<b>04</b>	<b>05</b>	<b>00</b>	<b>S0</b>		

Performance graphs

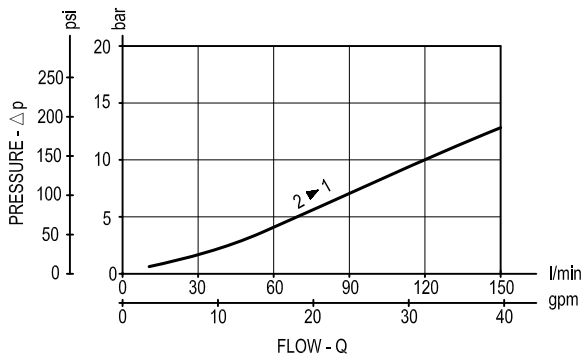
for K=01-02



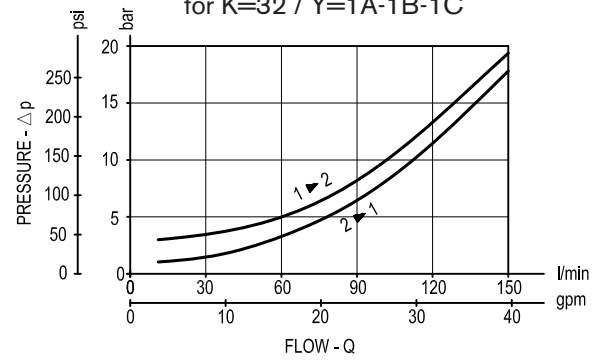
for K=05 / Y=3A-3D  
for K=06 / Y=1A-1B-1C



for K=11-12



for K=31 / Y=3A-3D  
for K=32 / Y=1A-1B-1C



## Ordering code

OS.15	K	21	Y	Z	W
Manifold with solenoid operated valve, 2-way 2-positions			Manifold material		
Cartridge scheme (see page 1 and 2)			= 00 Aluminium		
			= S0 Steel		
= 01 = 02 Monodirectional = 11 = 12			Port sizes (see table on page 2)		
= 05 = 06 Bidirectional = 31 = 32					
Special cavity 021-E			See table on page 2		

## Preferred types (readily available)

Type	Material number	Type	Material number
OS1502211A0400	R394002850	OS1532211C0400	R934003005
OS1502211A0500	R394002851		
OS1502211C0500	R394002853		
OS1505213A0400	R394002893		
OS1505213A0500	R394002894		
OS1505213A05S0	R394003493		
OS1506211A0400	R394002943		
OS1506211A0500	R394002946		
OS1506211B0500	R394002950		
OS1506211C0400	R394002951		
OS1506211C04S0	R394002953		
OS1506211C0500	R394002954		
OS1531213A0400	R394002884		
OS1531213A04S0	R394003031		
OS1532211A0500	R394003003		

Further types available by request