

# Solenoid operated valves

## 2-way 2-positions

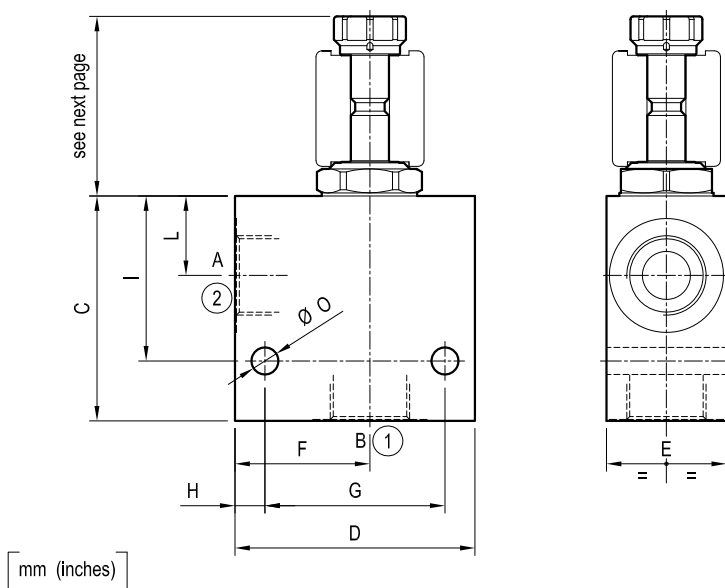
Common cavity size 12

Cartridge style in manifold

VEI-CS-8A-12A

OS.15 - K - 89 - Y - Z - W

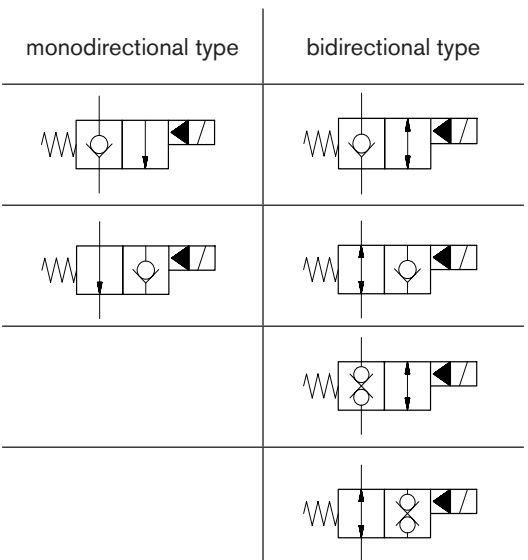
### Dimensions



[mm (inches)]

A - B	C	D	E	F	G	H	I	L			O
G 3/4	75 (2.95)	80 (3.15)	40 (1.58)	45 (1.77)	60 (2.36)	10 (0.39)	55 (2.17)	26.5 (1.04)			9 (0.35)
G 1	75 (2.95)	80 (3.15)	50 (1.97)	45 (1.77)	60 (2.36)	10 (0.39)	55 (2.17)	26.5 (1.04)			9 (0.35)

### Cartridge schemes



### Technical data

Max flow:	up to 150 l/min	(40 gpm)
Max operating pressure for <b>steel</b> body:	350 bar	(5000 psi)
Max operating pressure for <b>aluminium</b> body:	210 bar	(3000 psi)

To order only manifold see data sheet RE 18325-85



Performance graphs

