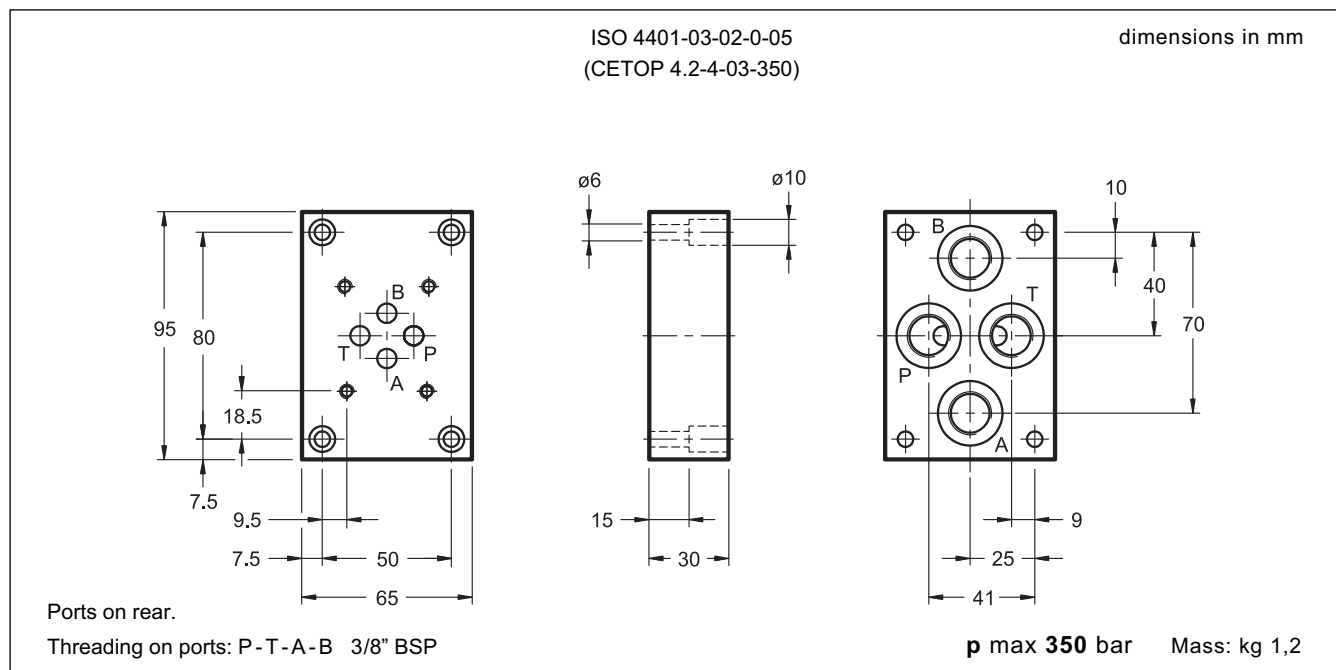




PMMD

SUBPLATES FOR ISO 4401-03 (CETOP 03) VALVES

13 - OVERALL AND MOUNTING DIMENSIONS PMMD-AI3G/20 (cod. 1961261)



14 - OVERALL AND MOUNTING DIMENSIONS PMMD-AL3G/11 (cod. 1961251)

