

General Description

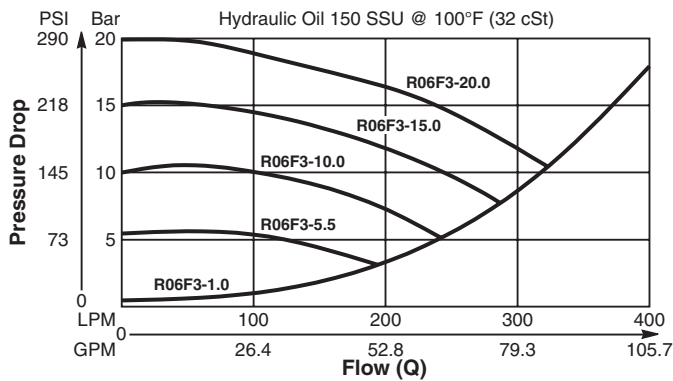
Spool Type, Normally Closed, Vent to Open Logic Element. For additional information see Technical Tips on pages LE1-LE6.

Features

- High flow capacity
- Used as high flow switching or metering element
- Can be used as main stage for a pilot operated relief or sequence valve
- Integral 250 micron pilot flow filter
- Various switching pressures available
- 1:1 pilot pressure ratio
- Hardened working parts for maximum durability
- All external parts zinc plated

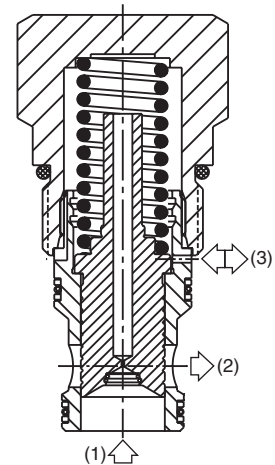
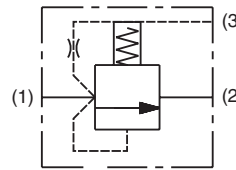
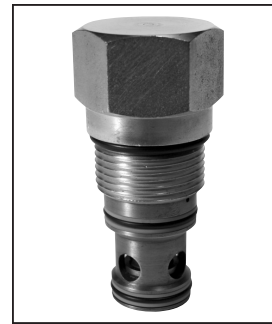
Performance Curve (Through cartridge only)

Vented Open Pressure Drop vs. Flow 1 to 2

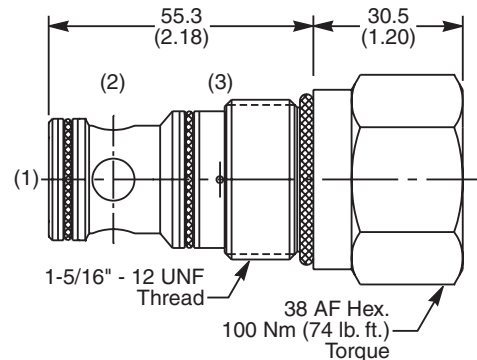


Specifications

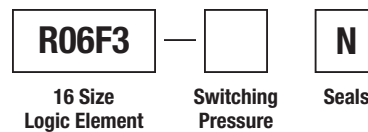
Rated Flow	400 LPM (106 GPM)
Nominal Flow @ 7 Bar (100 PSI)	270 LPM (71 GPM)
Maximum Inlet Pressure	420 Bar (6000 PSI)
Leakage @ 150 SSU (32 cst)	90 ml/min. @ 100 Bar (1450 PSI)
Switching Press.	See ordering information
Cartridge Material	All parts steel. All operating parts hardened steel.
Fluid Compatibility/ Viscosity	Mineral-based or synthetic with lubricating properties at viscosities of 45 to 2000 SSU (6 to 420 cSt)
Filtration	ISO-4406 18/16/13, SAE Class 4
Approx. Weight	.38 kg (.84 lbs.)
Cavity	C16-3S (See BC Section for more details)
Form Tool	Rougher NFT16-3SR Finisher NFT16-3SF



Dimensions Millimeters (Inches)



Ordering Information



Code	Switching Pressure Non Adjustable Preset
5.5	5.5 Bar (80 PSI) Std.
10.0	10.0 Bar (145 PSI)
15.0	15.0 Bar (218 PSI)

Code	Seals / Kit No.
N	Nitrile Buna-N / (SK30508N-1)

Fluorocarbon seal kits are available separately to convert external seals. If required, please order: (SK30508V-1)

If no switching pressure is specified, valve will be supplied as R06F3-5.5N

CV
Check Valves
SH
Shuttle Valves
LM
Load/Motor Controls
FC
Flow Controls
PC
Pressure Controls
LE
Logic Elements
DC
Directional Controls
MV
Manual Valves
SV
Solenoid Valves
PV
Proportional Valves
CE
Coils & Electronics
CB
Cartrpck Bodies
BC
Bodies & Cavities
TD
Technical Data