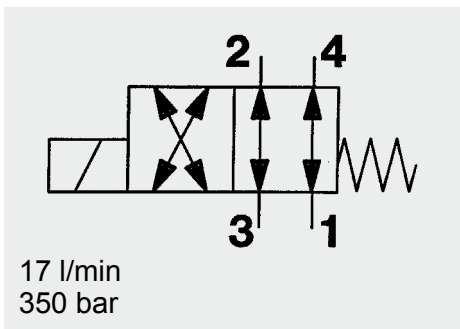
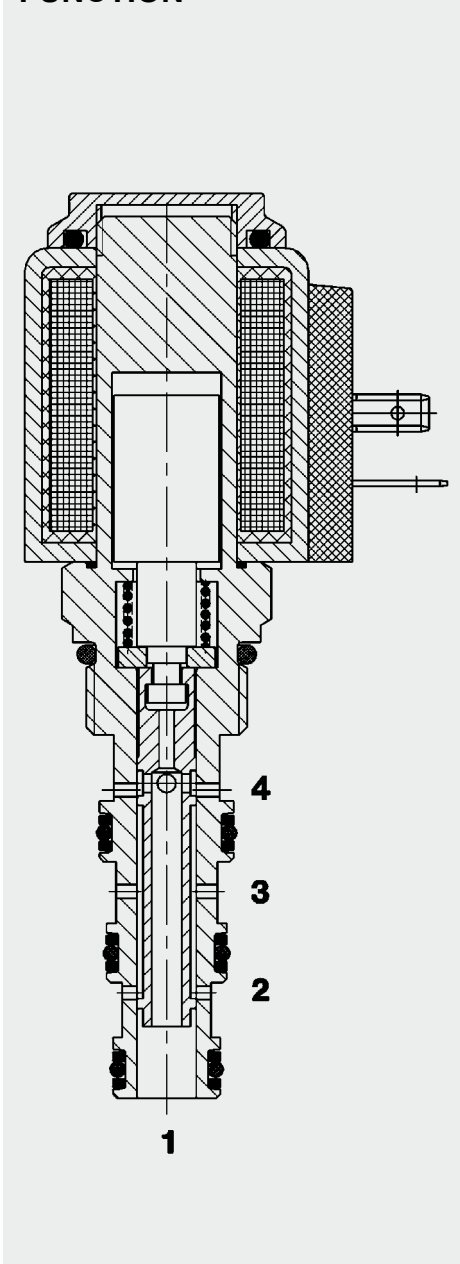


4/2 Solenoid Directional Valve Spool Type, Direct-Acting SAE-08 Cartridge – 350 bar WK08X-01



FUNCTION



When de-energized, the valve allows flow from port 3 to 2 or from 2 to 3 and from port 4 to 1 or 1 to 4. When the solenoid coil is energized, there is free flow through the valve from port 3 to 4 or from 4 to 3 and also from port 2 to 1 or from 1 to 2.

FEATURES

- External surfaces zinc-plated and corrosion-proof
- Hardened and ground internal valve components to ensure minimal wear and extended service life
- Coil seals protect the solenoid system
- Wide variety of connectors available
- Excellent switching performance by high power HYDAC solenoid
- Low pressure drop due to CFD optimized flow path

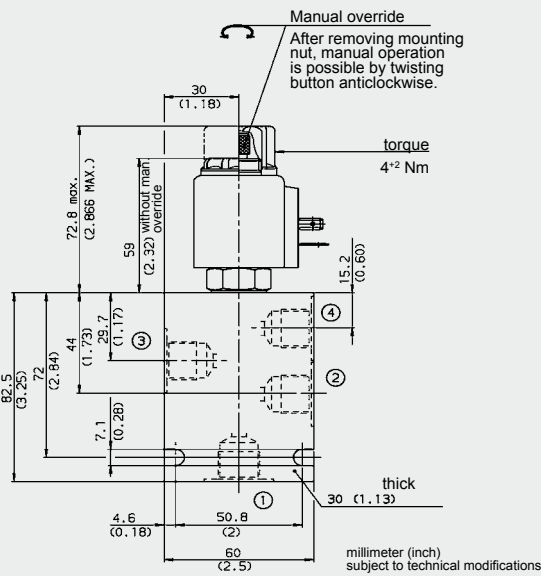
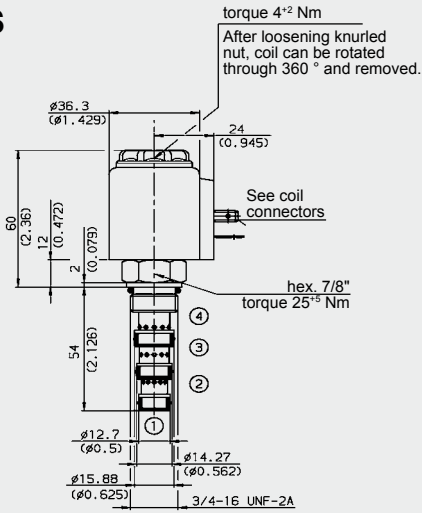
SPECIFICATIONS

Operating pressure:	max. 350 bar	
Nominal flow:	max. 17 l/min Consult HYDAC for flow ratings above 207 bar	
Internal leakage:	90 cm ³ /min at 250 bar and 34 mm ² /s	
Media operating temperature range:	min. -20 °C to max. +100 °C	
Ambient temperature range:	min. -30 °C to max. +60 °C	
Operating fluid:	Hydraulic oil to DIN 51524 Part 1 and 2	
Viscosity range:	min. 7.4 mm ² /s to max. 420 mm ² /s	
Filtration:	Class 21/19/16 according to ISO 4406 or cleaner	
MTTF _d :	150 years (see "Conditions and instructions for valves" in brochure 5.300)	
Installation:	No orientation restrictions	
Materials:	Valve body:	free-cutting steel
	Spool:	hardened and ground steel
	Seals:	NBR (standard) FKM (optional, media temperature range -20 °C to +120 °C)
	Back-up rings:	PTFE
	Coil:	steel / polyamide
Cavity:	FC08-4	
Weight:	Valve complete	0.38 kg
	Coil only	0.19 kg

Electrical data:

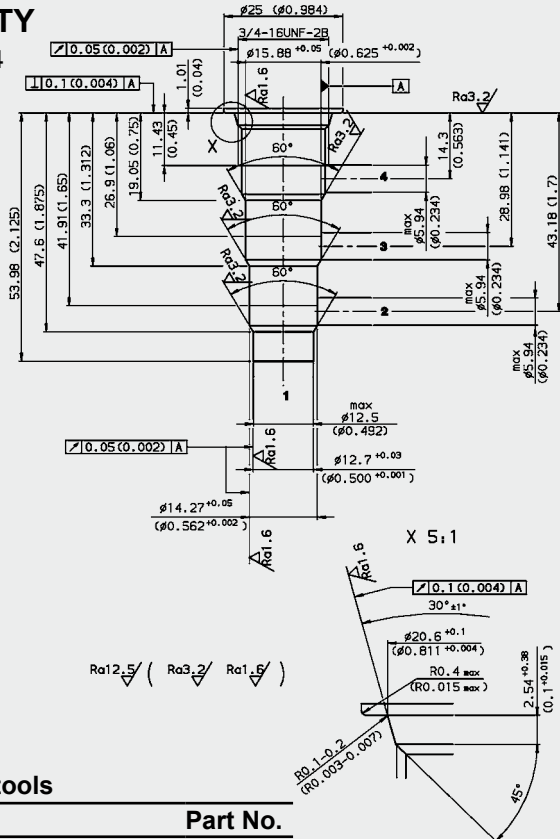
Type of voltage:	DC solenoid, AC voltage is rectified using a bridge rectifier built into the coil	
Current draw at 20 °C:	1.5 A at 12 V DC 0.8 A at 24 V DC	
Voltage tolerance:	± 15% of the nominal voltage	
Coil duty rating:	Continuous up to max. 115% of the nominal voltage at 60 °C ambient temperature	
Coil type:	Coil...-40-1836	

DIMENSIONS



CAVITY

FC08-4



Form tools

Tool	Part No.
Countersink FC08-4	175646
Reamer FC08-4	175647

millimeter (inch)
subject to technical modifications

MODEL CODE

WK08X-01 M-C-N-24 DG

Basic model

Directional spool valve, UNF

Type

01 = standard

Manual override

no details = without manual override

M = manual override

Body and ports*

C = cartridge only

SB3 = G3/8 ports, steel body

AB3 = G3/8 ports, aluminium body

Seals

N = NBR (standard)

V = FKM

Coil voltage

DC voltages

12 = 12 V DC

24 = 24 V DC

AC voltages (bridge rectifier built into the coil)

115 = 115 V AC

230 = 230 V AC

Other voltages on request

Coil connectors (type 40-1836)

DC: DG = DIN connector to EN 175301-803

DK = KOSTAL threaded connection M27x1

DL = 2 flying leads, 457 mm long, 0.75 mm²

DN = Deutsch connector, 2-pole, axial

DT = AMP Junior Timer, 2-pole, radial

AC: AG = DIN connector to EN 175301-803

Other connectors on request

Standard models

Model Code	Part No.
WK08X-01-C-N-24DG	3021149
WK08X-01-C-N-230AG	3044054

Other housings on request

*Standard in-line bodies

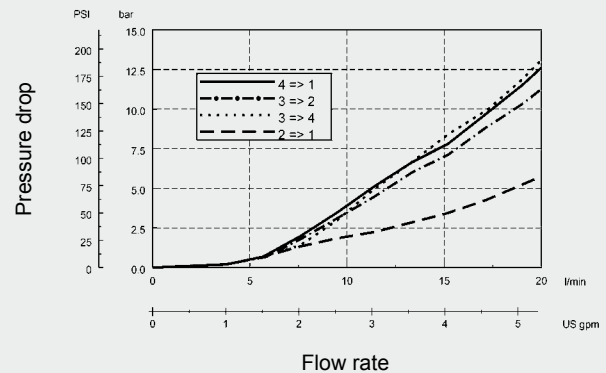
Code	Part No.	Material	Ports	Pressure
FH084-SB3	563383	Steel, zinc-plated	G3/8	420 bar
FH084-AB3	3011407	Aluminium, anodized	G3/8	210 bar

Seal kits

Code	Material	Part No.
FS084-N SEAL KIT	NBR	3071272
FS084-V SEAL KIT	FKM	3071273

PERFORMANCE

Measured at $v = 34 \text{ mm}^2/\text{s}$, $T_{\text{oil}} = 46 \text{ }^\circ\text{C}$



Note

The information in this brochure relates to the operating conditions and applications described. For applications or operating conditions not described, please contact the relevant technical department. Subject to technical modifications.

HYDAC Fluidtechnik GmbH

Justus-von-Liebig-Str.

D-66280 Sulzbach/Saar

Tel: 0 68 97 /509-01

Fax: 0 68 97 /509-598

E-Mail: flutec@hydac.com