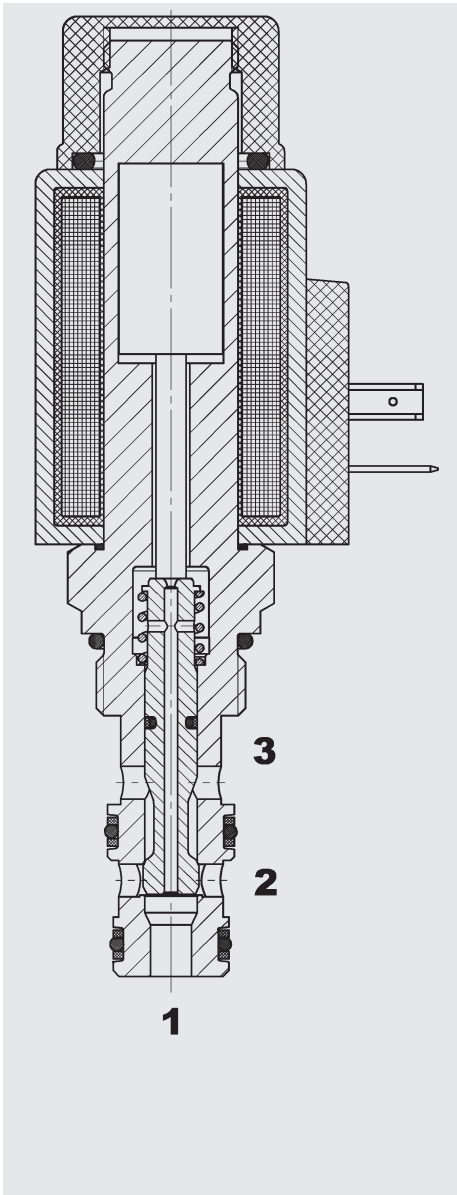


up to 22 l/min  
up to 350 bar

## FUNCTION



When the solenoid coil is not energized, there is free flow through the valve from port 1 to port 2. Port 3 is closed.

When energized, there is free flow through the valve from port 2 to port 3. Port 1 is closed.

## 3/2-Solenoid Directional Valve Poppet Type - Direct-Acting Normally Open Metric Cartridge – 350 bar WSM08130D-01

### FEATURES

- External surfaces zinc-plated and corrosion proof
- Hardened and ground internal valve components to ensure minimal wear and extended service life
- Coil seals protect the solenoid system
- Wide variety of connections available
- Excellent switching performance by high power HYDAC solenoid

### SPECIFICATIONS

Operating pressure:	max. 350 bar
Nominal flow:	max. 22 l/min
Internal leakage:	Leakage-free (max. 5 drops $\approx$ 0,25 cm <sup>3</sup> /min at 350 bar)
Media operating temperature range:	min. -20 °C to max. +100 °C
Ambient temperature range:	min. -20 °C to max. +60 °C
Operating fluid:	Hydraulic oil to DIN 51524 Part 1 and 2
Viscosity range:	min. 7.4 mm <sup>2</sup> /s to max. 420 mm <sup>2</sup> /s
Filtration:	Class 21/19/16 according to ISO 4406 or cleaner
MTTF <sub>d</sub> :	150 years (see "Conditions and instructions for valves" in brochure 5.300)
Installation:	No orientation restrictions
Materials:	Valve body: free-cutting steel Piston: hardened and ground steel Seals: NBR (standard) FKM (optional, media temperature range -20 °C to +120 °C) Back-up rings: PTFE Coil: steel / polyamide
Cavity:	08130 metric
Weight:	Valve complete: 0.49 kg Coil only: 0.19 kg
<b>Electrical data:</b>	
Switching time:	energized: approx. 30 ms non-energized: approx. 50 ms
Type of voltage:	DC solenoid, AC voltage is rectified using a bridge rectifier built into the coil
Nominal voltage at 20 °C:	2.22 A at 12 V DC 1.13 A at 24 V DC
Voltage tolerance:	$\pm$ 15% of nominal voltage
Coil duty rating:	Continuous up to max. 115% of the nominal voltage at 60 °C ambient temperature
Coil type:	Coil...-50-1836

